


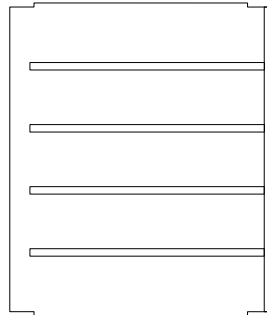
# ASSEMBLY INSTRUCTIONS

## SBW A4 Storage Tower

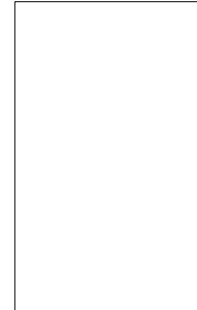
### STEP 1

Ensure that your parcel contains the following parts before proceeding with assembly:

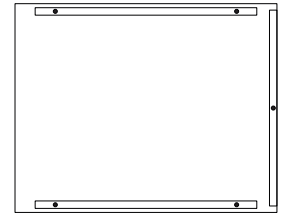
Item	Picture	Quantity
Screws		10



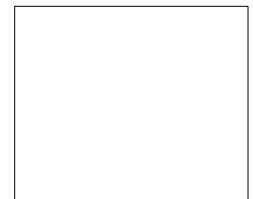
2 x Sides



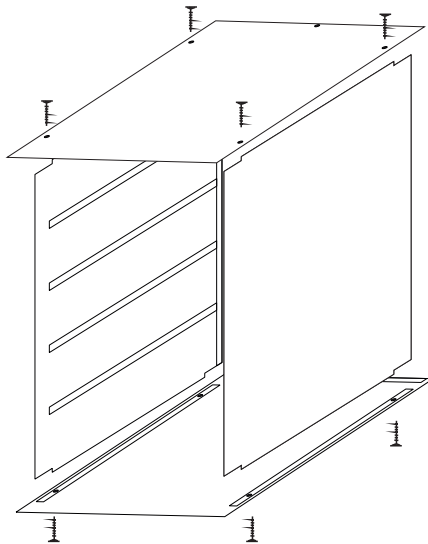
1 x Back



2 x Top\Bottom



4 x Shelves



### STEP 2

Insert the top and bottom edges of the sides into the slots in the top and bottom and secure with the screws using the pre drilled holes. Ensure the sides are fully inserted into the slots before tightening the screws.

### STEP 3

With the unit laying on its front slide the four shelves in from the back until they are all the way forward. The shelves are designed to be a snug fit and may need a gentle tap to insert them.

### STEP 4

Insert the back into the rebate in the back of the unit and secure top and bottom with the screws provided.



SBW A4  
Tower

If you have any queries during assembly  
please call us free on 0800 048 8606

[www.storage4crafts.co.uk](http://www.storage4crafts.co.uk)  
Telephone: 0800 048 8606.  
[mail@storage4crafts.co.uk](mailto:mail@storage4crafts.co.uk)  
Pathfields Business Park,  
South Molton, Devon, EX36 3LL

storage  
4 CRAFTS